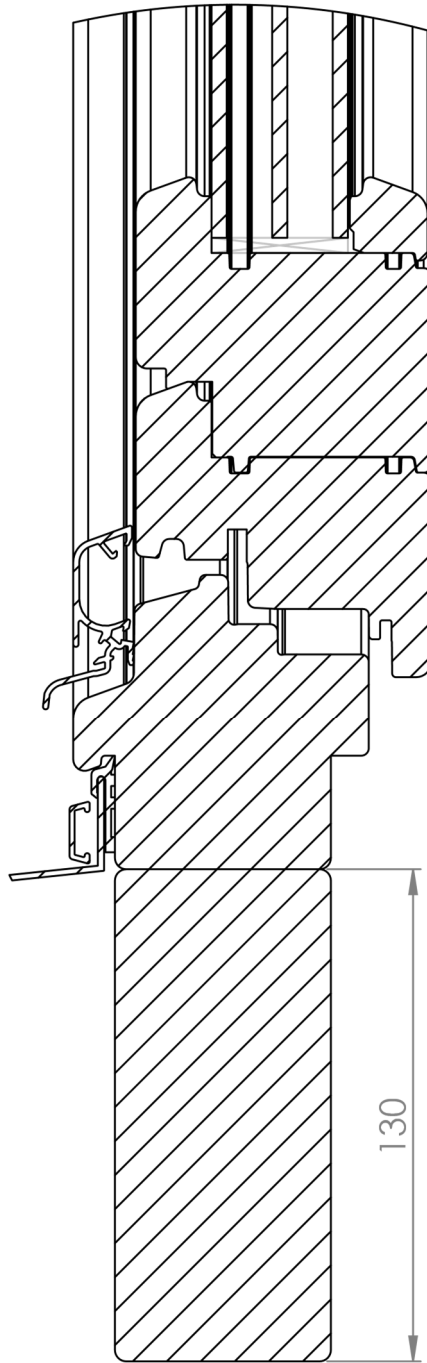
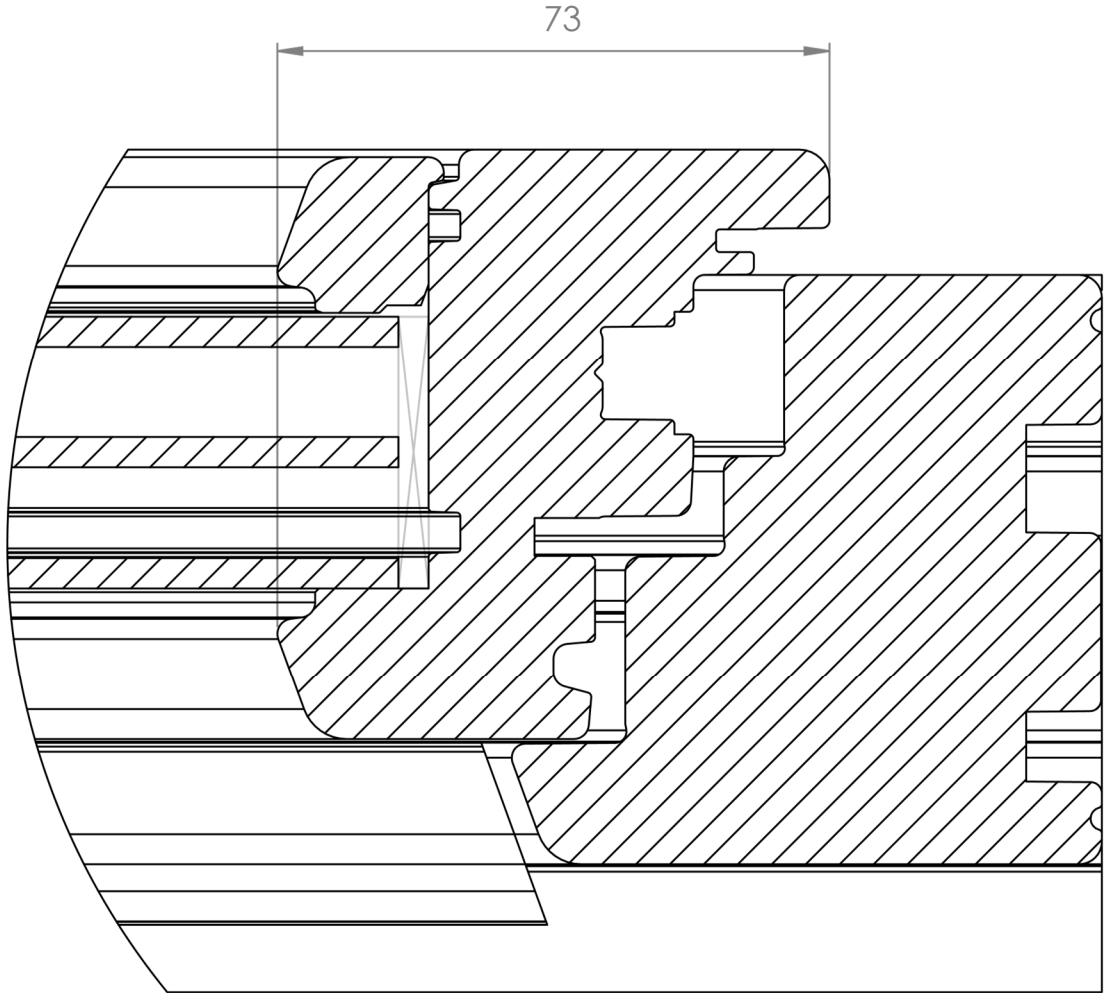


2 5



DETAIL E



DETAIL F

